

兴化市华宇电子有限公司

Specification

Customer:	
Customer P/O	
DRM Part No	HY25P16TR12-01
Issue No	
Issue Date	09/02/2009

Approval items:

- A, Scope
- B, Characteristics
- C, Technical terms
- D, Drawing
- E, Beam Pattern
- F, Test Circuit

Approval signature:

DIS.	CHEC.	APPR.

Xinghua Huayu Electronics Co., Ltd

Add: Industrial Park, Chenbao Town

Xinghua City, Jiangsu Province

Tel: +86-523-83723110

Fax: +86-523-83723118

[Http://www.js-huayu.com](http://www.js-huayu.com)

E-mail: china_hydz@163.com

A. Scope

This specification applies Ultrasonic sensor HY25A16TR12-01

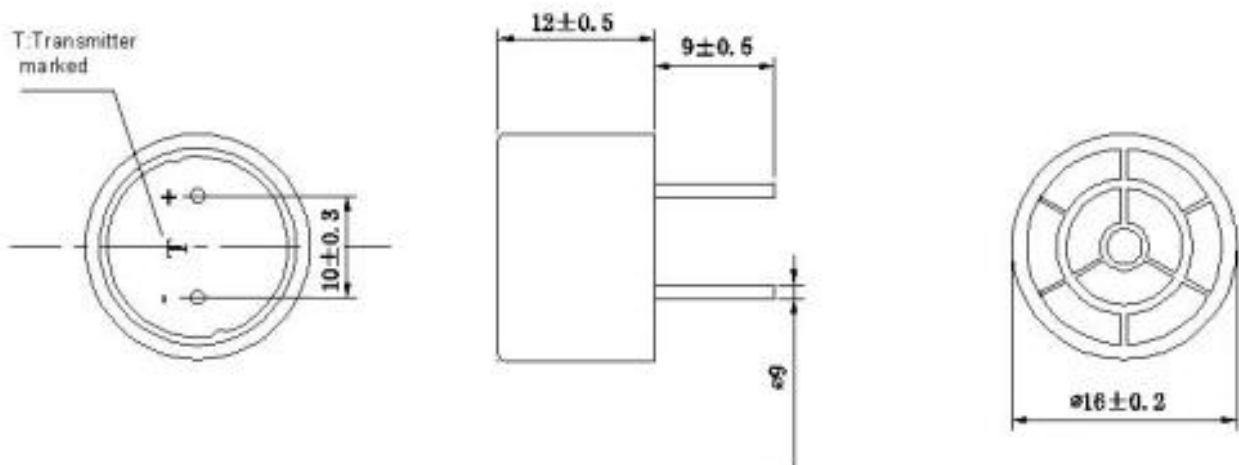
B. Characteristics

- 1.1) Open structure
- 1.2) Compact and light weight
- 1.3) High sensitivity and sound pressure
- 1.4) Less power consumption
- 1.5) High reliability

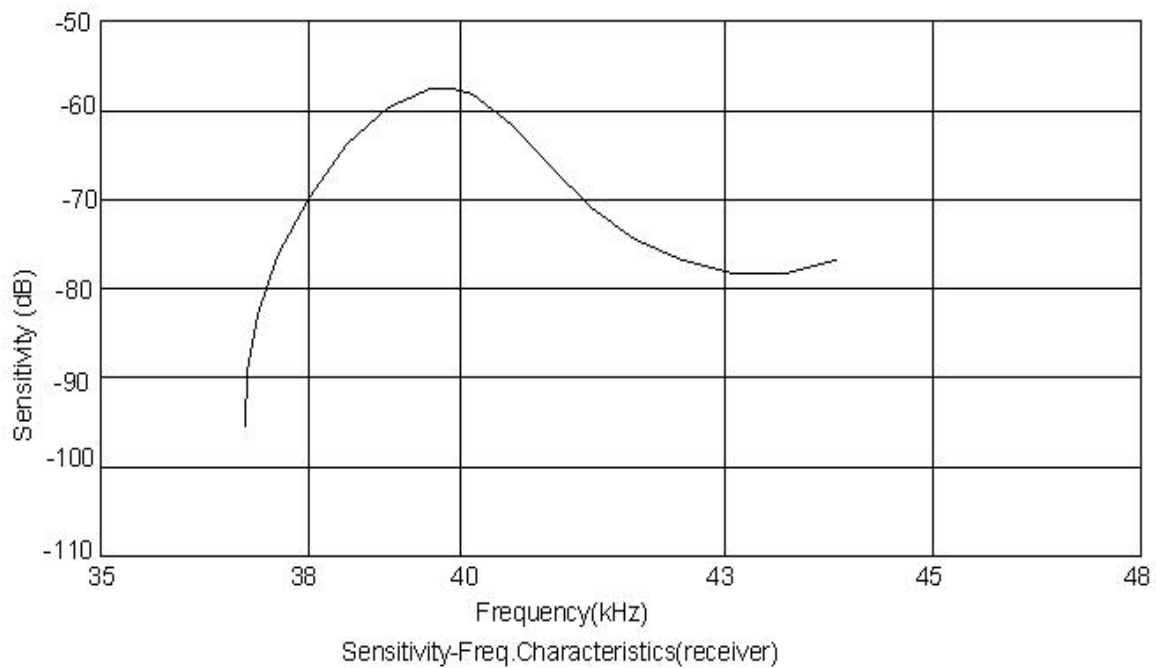
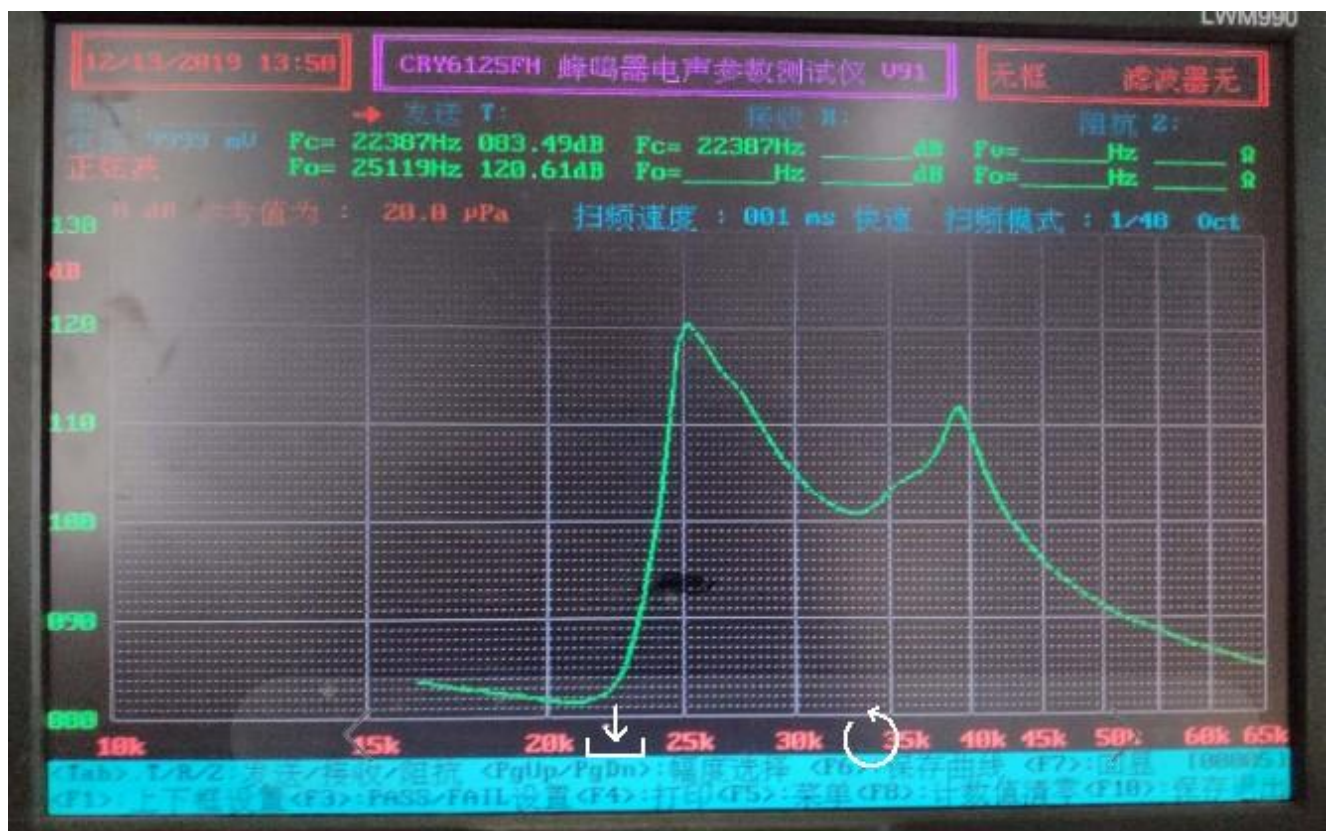
C. Technical terms

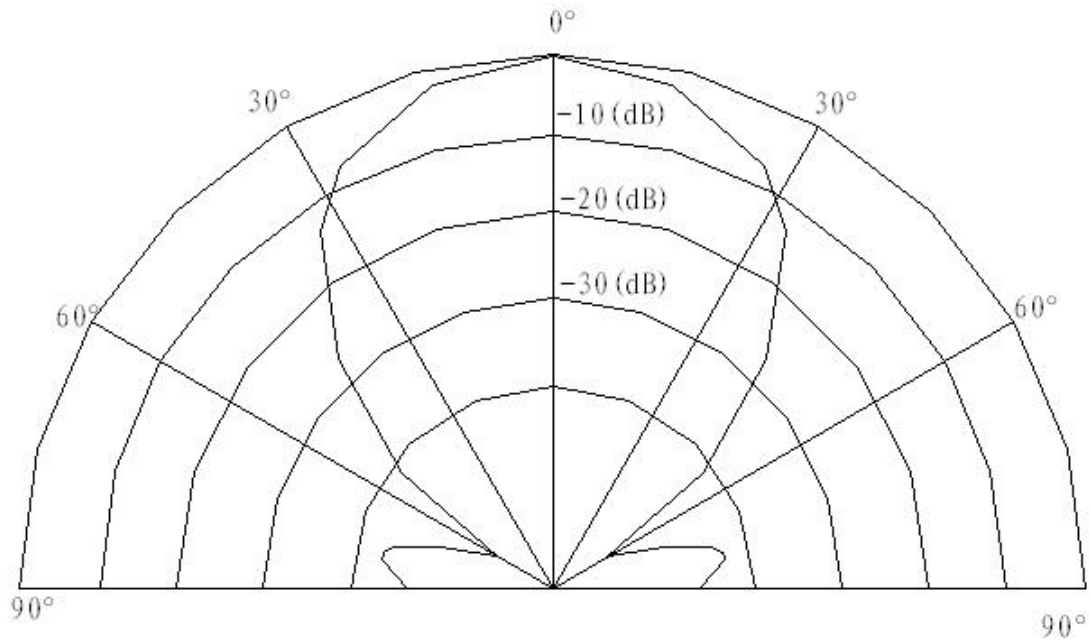
No.	Item	Unit	Specification
1	Construction		Open
2	Using method		Single
3	Nominal Frequency	Hz	24.5–25K
4	S P L	dB	$\geq 115(10V/30cm/sine\ wave)$
5	Sensitivity	dB	$\geq -68dB\ V/u\ bar$
6	Directivity	deg	$95 \pm 5^\circ$
7	Capacitance	pF	$2500 \pm 20\% @ 1KHz$
8	Allowable input voltage	Vp-p	140
9	Detectable range	m	20
10	Operating Temperature	°C	-20....+70

D. Drawing



E. Beam Pattern

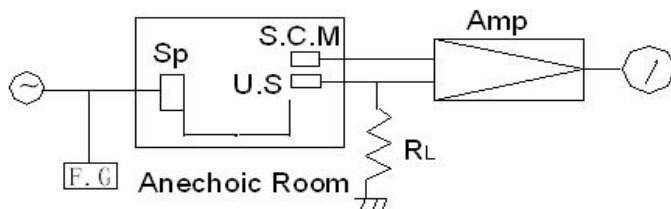




Directivity in Overall Sensitivity

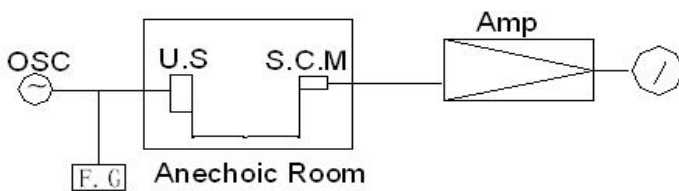
F. Test Circuit

Receiver



- RL: $3.9K\Omega$
- U.S :Ultrasonic Sensor
- S.C.M:Standard Cappacitor Microphone
- Amp. :Ampifier
- OSC. :Oscillator
- Sp :Tweeter
- F.C :Frequency Counter

Transmitter



- U.S :Ultrasonic Sensor
- S.C.M:Standard Cappacitor Microphone
- Amp. :Ampifier
- Input voltage: 10Vrms
- F.C :Frequency Counter